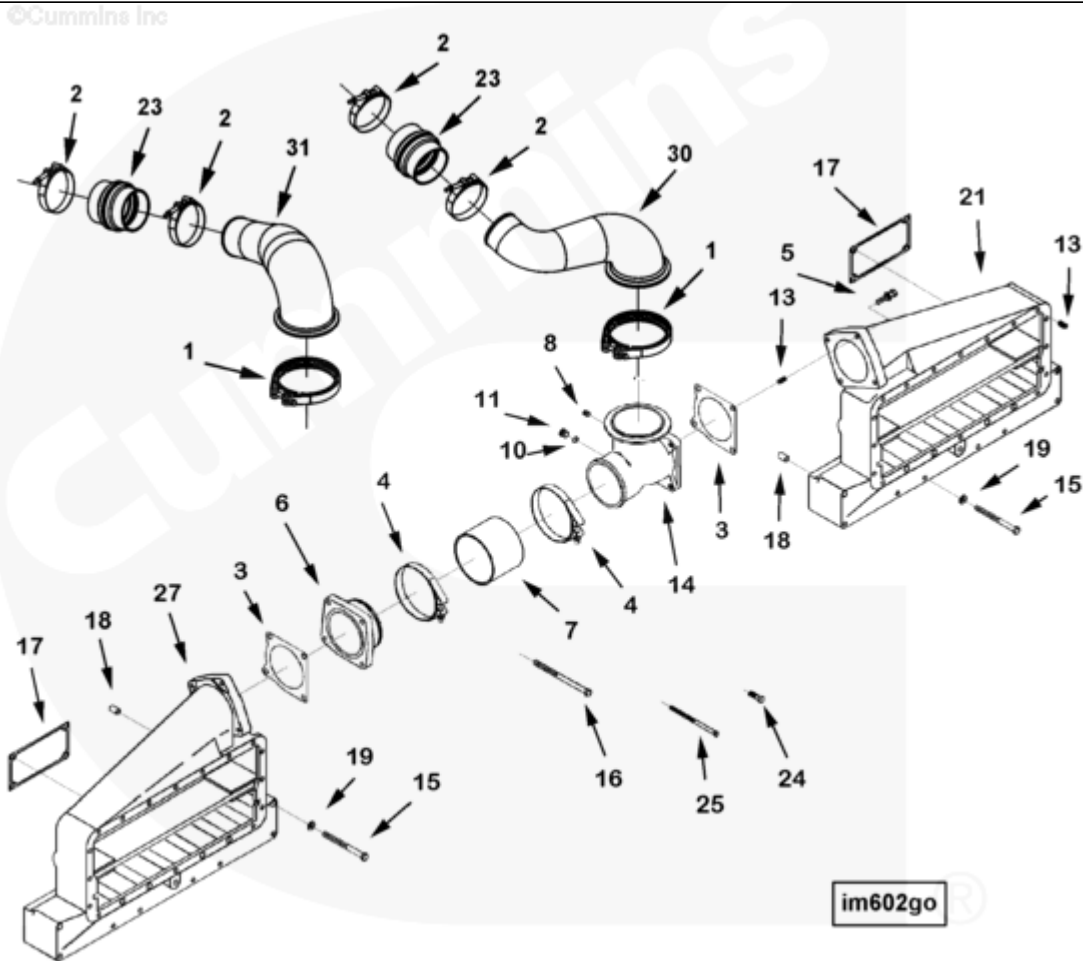




## Parts Catalog - Option Detail

Electronic Parts Catalog - Option Detail				
Option	Group	Graphic	Film Card	Date
IM6045-07	10.01	im602go	K38	04-SEP-00
<b>Engines</b>	GTA38, K38, KTA38GC CM558, QSK38 CM2150 K106, QSK38 CM2150 MCRS, QSK38 CM850 MCRS			



[SMALL](#) | [MEDIUM](#) | [LARGE](#)

Cart	Ref No	Part Number	Part Description	Required	Remarks
<input type="button" value="View My Cart"/>					
		<a href="#">IM6045-07</a>	Intake Manifold		<a href="#">LTA type air intake...(More)</a>
					manifolds.
					For use less air compressor
					applications, or with

					compressor air supply
					provided by the customer for
					KTA38-M2.
					To be used with a
					Remote mounted s.o.v.
					Arrangement only.
<input type="checkbox"/>	1	186917	V Band Clamp	2	
	2	3633974	T-Bolt Clamp	4	3.69-3.94 in.
<input type="checkbox"/>	3	3047665	Connection Gasket	4	
<input type="checkbox"/>	4	3633975	T-Bolt Clamp	4	4 3/4 in.
<input type="checkbox"/>	5	3065723	Captive Washer Cap Screw	16	3/8 - 16 X 1 3/4 in.
<input type="checkbox"/>	6	3066666	Air Intake Connection	2	
<input type="checkbox"/>	7	3067371	Plain Hose	2	
<input type="checkbox"/>	8	3628605	Pipe Plug	8	1/4 - 18.
<input type="checkbox"/>		3037536	Threaded Plug	3	9/16 - 18 UNF
<input type="checkbox"/>	10	3037537	O-Ring Seal	3	
	11	3040813	Threaded Plug	3	9/16 - 18 UNF
<input type="checkbox"/>		3072040	Air Crossover Connection	2	
<input type="checkbox"/>	13	67184 B	Threaded Insert	20	
	14	3629545	Air Crossover Connection	2	
<input type="checkbox"/>	15	S 106 C	Hexagon Head Cap Screw	14	3/8 - 16 X 4 3/4 in.
<input type="checkbox"/>	16	69028	Hexagon Head Cap Screw	8	
<input type="checkbox"/>	17	206277	Intake Manifold Gasket	12	
<input type="checkbox"/>	18	3014304	Rectangular Ring Seal	24	
<input type="checkbox"/>	19	3036460	Spring Washer	46	M10
<input type="checkbox"/>		3393153	Air Intake Manifold	2	
<input type="checkbox"/>	13	67184 B	Threaded Insert	16	
	21	3866839	Air Intake Manifold	1	
<input type="checkbox"/>	23	3630125	Plain Hose	2	
<input type="checkbox"/>	24	S 106	Hexagon Head Cap Screw	12	1/2 - 13 x 1 3/4 in.

<input type="checkbox"/>	25	<a href="#">69621</a>	Hexagon Head Cap Screw	2	3/8 - 16 X 5 1/2 in.
<input type="checkbox"/>		<a href="#">3393154</a>	Air Intake Manifold	2	
<input type="checkbox"/>	13	<a href="#">67184 B</a>	Threaded Insert	32	
	27	<a href="#">3866840</a>	Air Intake Manifold	1	
<input type="checkbox"/>	30	<a href="#">3897963</a>	Air Crossover Connection	1	
<input type="checkbox"/>	31	<a href="#">3897538</a>	Air Crossover Connection	1	

© 2019 Cummins Inc., Box 3005, Columbus, IN 47202-3005 U.S.A.  
Terms of Use and Disclaimers | Recommended System Requirements  
Need Assistance? Please click on the Contact Us button in the top right corner of any page.